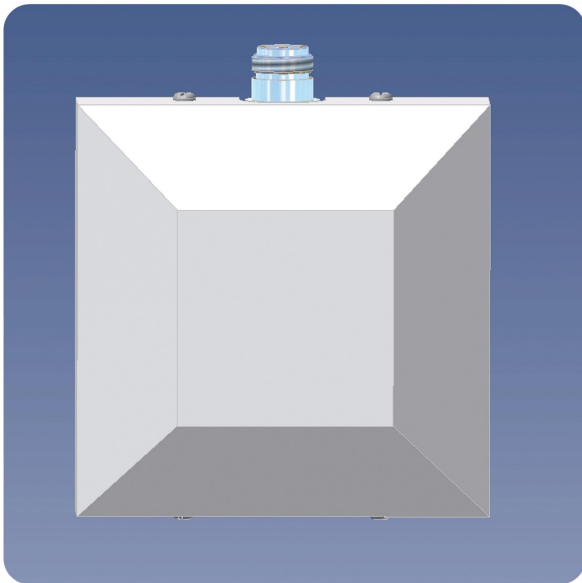


# PCPI WIFI

Indoor Right Hand Circularly Polarized Patch Antenna for mounting on Wall or Ceiling

## DESCRIPTION

- Low profile antenna for the 2400 - 2500 MHz band.
- PCPI WIFI is a **Right Hand Circularly Polarized** patch antenna for indoor use.
- Circularly polarized antenna is chosen to avoid out-of-phase signals.
- Specially designed for closed rooms.
- The antenna is carefully sealed with a discrete white cover.
- The connector is placed at one side to enable mounting close to a wall or a ceiling.



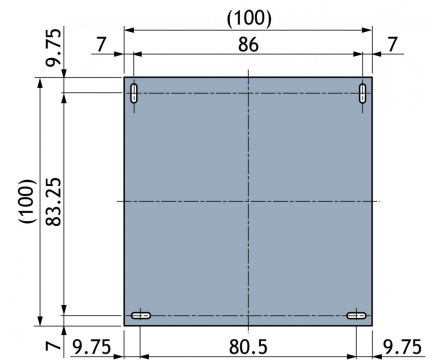
## ORDERING DESIGNATIONS

TYPE	PRODUCT NO.
PCPI WIFI	100000363

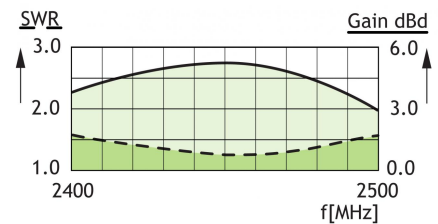
## SPECIFICATIONS

ELECTRICAL	
MODEL	PCPI WIFI
ANTENNA TYPE	Right Hand Circularly Polarized patch antenna
FREQUENCY	2400 - 2500 MHz
IMPEDANCE	Nom. 50 Ω
POLARIZATION	Circular
GAIN	Approx. 5 dBic 3 dBd ±2 dB
HALF-POWER BEAMWIDTH	Approx. 70° (H- and E-plane)
SWR	≤ 2
MAX. POWER	50 W
MECHANICAL	
CONNECTOR	N-female
COLOUR	Marine white
MATERIALS	Cover: PS Chassis: Aluminium
SIZE (L x W x H)	Approx. 104 x 104 x 40 mm
WEIGHT	Approx. 0.2 kg
MOUNTING	For mounting on wall or ceiling ø4.5 x 10 mm (4 holes)

## MOUNTING DETAILS (Dimensions excl. cover)



## TYPICAL GAIN AND SWR CURVES

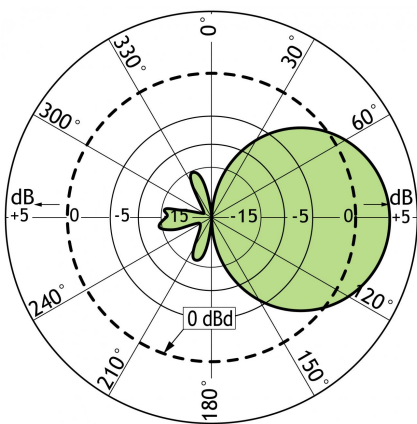


TYPICAL RADIATION PATTEN (E-PLANE)



This curve shows the radiation patterns in the vertical plane.

TYPICAL RADIATION PATTEN (H-PLANE)



This curve shows the radiation patterns in the horizontal plane (horizontal coverage).



PROCOM A/S reserve the right to amend specifications without prior notice.

14/12/11